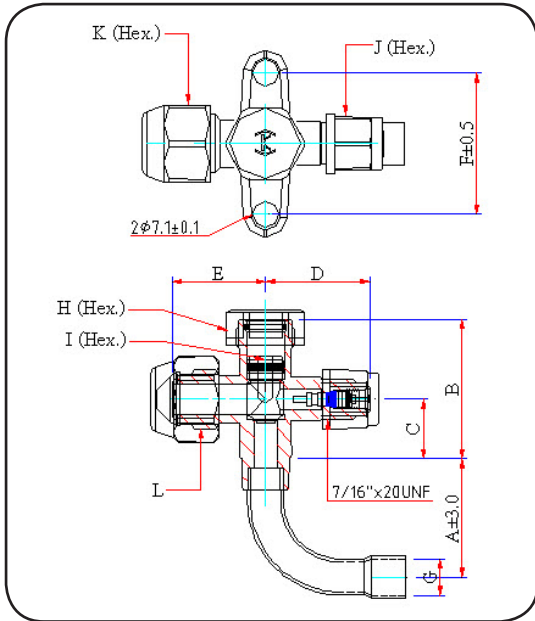


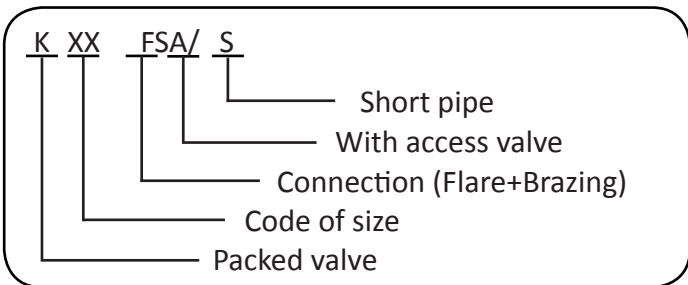
SERVICE VALVE

KN - type x 90 T1 (economy, nylon cap)



Dimension : mm

Part No.	Description	A	B	Connection	C	D	E	F	G	H	I	J	K	L
K22 FSAX90 T1	Service valve 1/4 type: K-90	29	32	6.35 (1/4")	13.5	27.5	24.5	38	6.43	18	4	14	17	7/16-20 UNF
K33 FSAX90 T1	Service valve 3/8 type: K-90	31	38	9.53 (3/8")	17	28.4	25.1	38	9.6	18	4	14	22	5/8-18 UNF
K44 FSAX90 T1	Service valve 1/4 type: K-90	40	40.5	12.7 (1/2")	17.5	29	30.5	38	12.8	21	5	14	24	3/4-16 UNF
K55 FSAX90 T1	Service valve 1/4 type: K-90	40	44	15.88 (5/8")	17	30.2	33.8	38	16.02	25	5	14	27	7/8-14 UNF
K66 FSAX90 T1	Service valve 1/4 type: K-90	36	55.5	19.05 (3/4")	22	32.75	39.25	44	19.18	30	6	14	32	1 1/16"-14 UNS
K77 FSAX90 T1	Service valve 1/4 type: K-90	40	67.5	22.22(7/8")	27	35	41	44	22.4	35	6	14	35	1 1/4"-12 UNF



Specification

1. For freon R12, R22, R502, R134a, R407C
2. Maximum working pressure 30 g/SQ CM., gauge(430 Psig.)
3. Operating temperature range: -28 °C to 100 °C



GRAND D.K. CO., LTD.

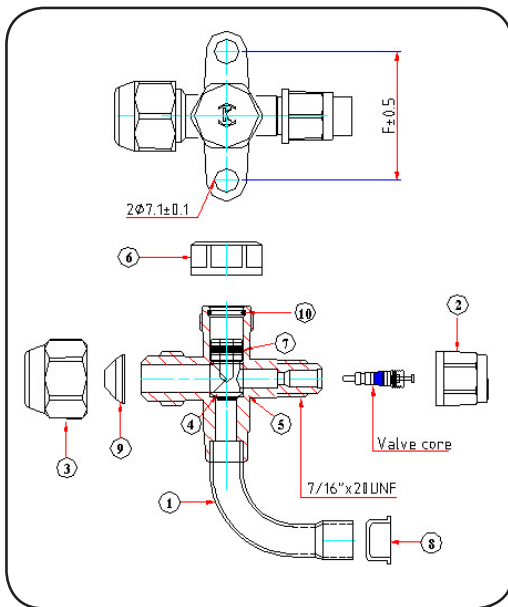
1/17 Moo 2, Rama 2 Road, Thasai, Muong Samutsakhon74000, Thailand.

Tel. (662) 8080457, 8080458 Fax. (662) 8081217, 8081218

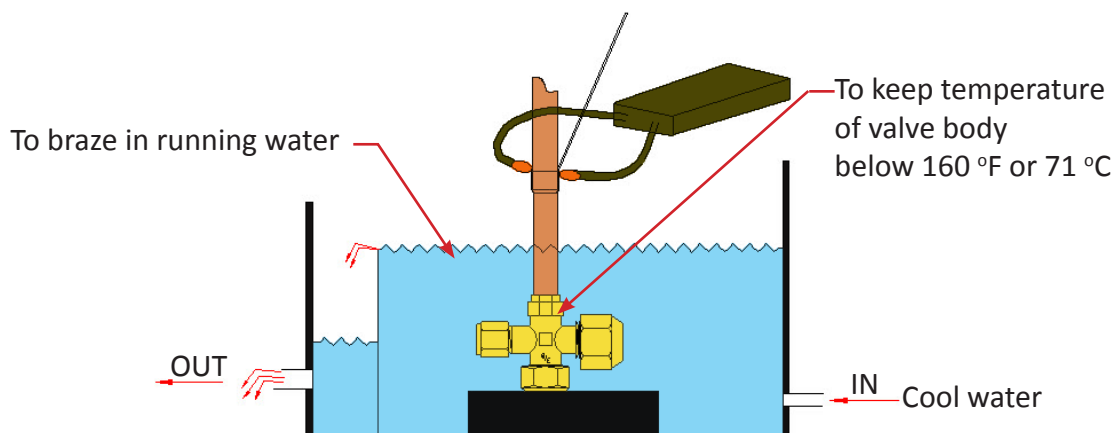
Email: grand@loxinfo.co.th

www.packedvalve.com, www.servicevalve.com, www.servicevalve.net

MANUFACTURER



No.	Description	Material
1	Tube connection	Copper
2	Cap, charging port	Brass (C3601)
3	Forged flare nut	Brass (C3601)
4	Plunger	Brass (C3601)
5	Body(forged)	Brass (C3607)
6	Cap, valve port	Nylon-6
7	O - ring	Neoprene
8	Tube seal	LDPE
9	Flare seal bonnet	Nylon-6
10	Ring, Lock	Stainless Steel



Brazing Instruction

Engineering Specification Data

Description service valve	
Construction	<ul style="list-style-type: none"> • Body(5) : Forged Brass (C3771) • Plunger(4) : Brass with O-ring tightening torque for seating: Size 1/4, 3/8 = 2.5 - 3.0 ft-lb. (3.4 - 4.0 N-m) Size 1/2, 5/8 = 10 - 12.5 ft-lb. (13 - 17 N-m) Size 3/4, 7/8 = 20 - 25 ft-lb. (27 - 34 N-m) • Seat : Metal contact seat • Service Port : 1/4 Sae – Flare with valve-core, Tightening torque for valve-core = 1.5-3.0 In-lb. (0.17-0.34 N-m) • Weld : By silver brazing, to withstand to 1100 deg.F (600 deg.C.)
Static Pressure	• Maximum working pressure 430 Psig.(30kg./Sqcm. Gauge)
Working Temperature	• -28 °C To 100 °C (-20 °F To 212 °F)
Refrigerant	• R12, R22, R502, R134a, R407c
Leak Test	• 100% Leak test of valve functions (open and close) by bubble leak test with nitrogen at 450 Psig.(31kg./Sqcm. Gauge)



GRAND D.K. CO., LTD.

1/17 Moo 2, Rama 2 Road, Thasai, Muong Samutsakhon74000, Thailand.
Tel. (662) 8080457, 8080458 Fax. (662) 8081217, 8081218

Email: grand@loxinfo.co.th

www.packedvalve.com, www.servicevalve.com, www.servicevalve.net

MANUFACTURER